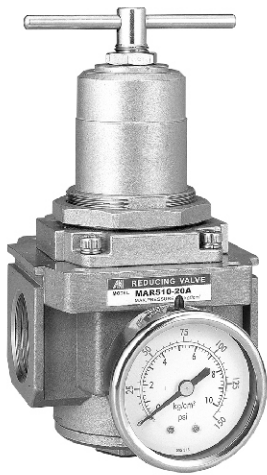
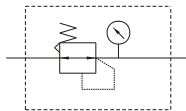


MAR510 series Stainless steel type

AIR UNITS (R. UNIT)



Symbol:



Specification:

Model	MAR510	
Bore No.	20A	25A
Port size	PT 3/4	PT 1
Medium	Air	
Operating pressure range	0~9.9 kgf/cm ² (0~0.99 MPa)	
Proof pressure	15 kgf/cm ² (1.5 MPa)	
Regulation pressure range	0.5~8.5 kgf/cm ² (0.05~0.85 MPa)	
Ambient temperature	-5~+60°C (No freezing)	
Attachment	Pressure gauge	
Weight	3050 g	

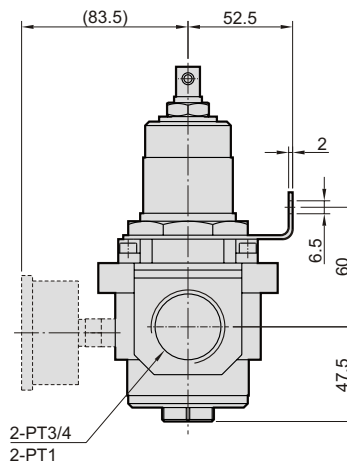
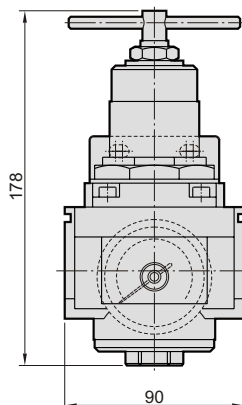
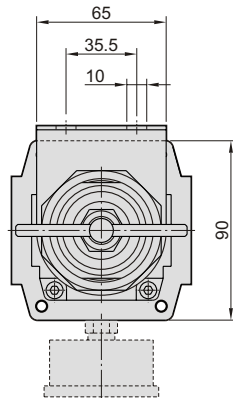
Order example:

MAR510 — 20A — BSP

MODEL

BORE SIZE
20A: PT 3/4
25A: PT 1

PORT THREAD
Blank: PT thread
BSP: BSP thread
NPT: NPT thread



Flow feature:

